

BetteAir

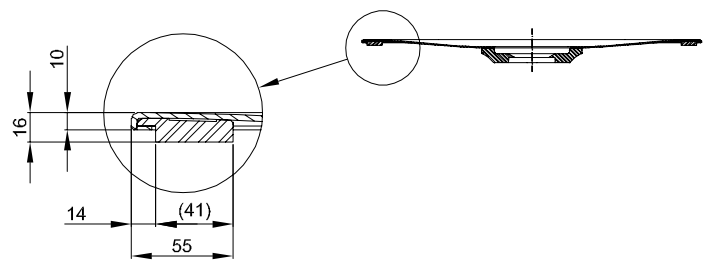
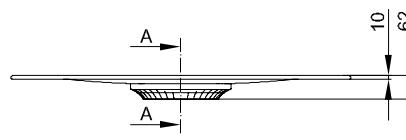
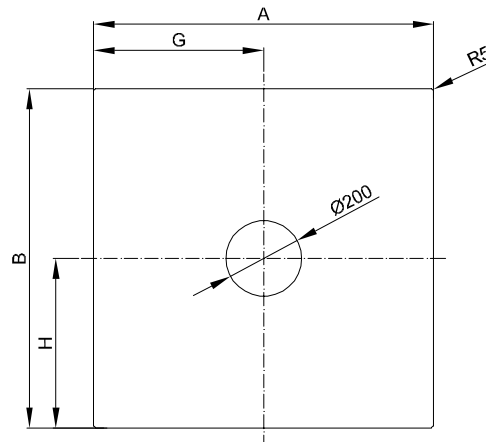
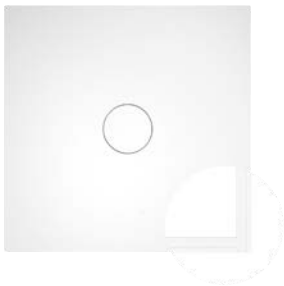
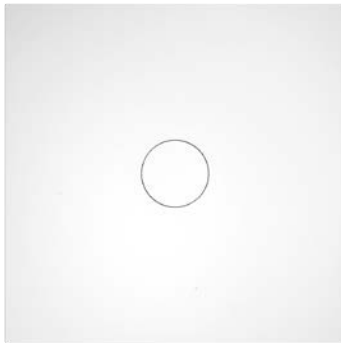
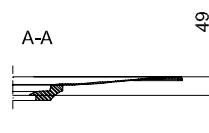


Illustration with pre-assembled Minimum support (T2).



Information

From a side length of 1000 mm we recommend the use of one support foot B57-0232.

The support foot set BetteAir B57-0406 can not be combined with the preassembled Minimum support (T2).

Scope of delivery

Including sound-reducing separating foil.

Design: Tesseraux + Partner

Dimensions

article no.	dimensions in mm	A	B	G	H
7350	900 x 900	900	900	450	450
7358	1000 x 800	1000	800	500	400
7351	1000 x 900	1000	900	500	450
7352	1000 x 1000	1000	1000	500	500
7359	1100 x 900	1100	900	550	450
7360	1100 x 1000	1100	1000	550	500
7353	1200 x 800	1200	800	600	400
7354	1200 x 900	1200	900	600	450
7355	1200 x 1000	1200	1000	600	500
7361	1200 x 1200	1200	1200	600	600
7356	1400 x 900	1400	900	700	450
7357	1400 x 1000	1400	1000	700	500
7362	1500 x 900	1500	900	750	450
7363	1500 x 1000	1500	1000	750	500
7364	1600 x 900	1600	900	800	450
7365	1600 x 1000	1600	1000	800	500