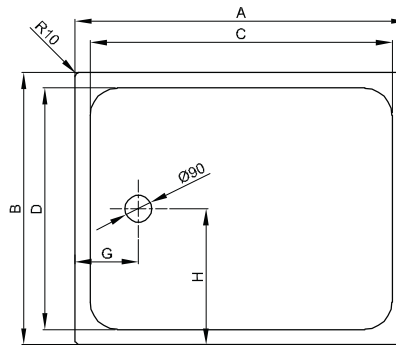
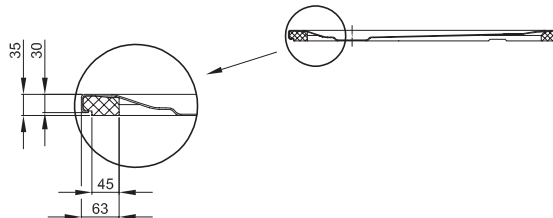
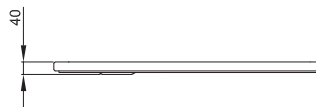


BetteUltra with Minimum support = 1000 mm



shower tray with shank length ≥ 1000 mm



Information

For installation on screed, wooden floors or tiles, we recommend commercially available construction adhesive, non-pressing construction foam or silicone.

For standard-compliant installation according to DIN 18534, we recommend the combination with the Easy Connect installation box (Art. No. B57-0400).

Scope of delivery

Shower tray with pre-assembled supporting elements in expanded polystyrene (EPS)

Including noise-reducing sound-dampening mats.



Nur 17 dB(A)
Schallbelastung
DIN 4109
VDI 4100*2

*2 bauliche Rahmenbedingungen gemäß Prüfbericht

Installation height

Waste fittings	from
B523-	113 mm
B522-	93 mm
B575-	110 mm

Dimensions

article no.	dimensions in mm	A	B	C	D	G	H
5879 T1	1000 × 700 × 25	1000	700	900	600	210	350
1650 T1	1000 × 750 × 25	1000	750	900	650	210	375
5490 T1	1000 × 800 × 25	1000	800	900	700	210	400
1660 T1	1000 × 900 × 25	1000	900	900	800	210	450
5940 T1	1000 × 1000 × 25	1000	1000	900	900	210	500

Subject to alteration and production tolerance.